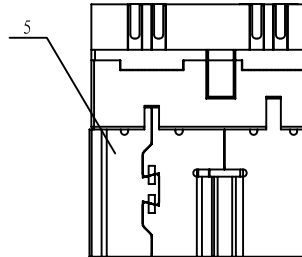
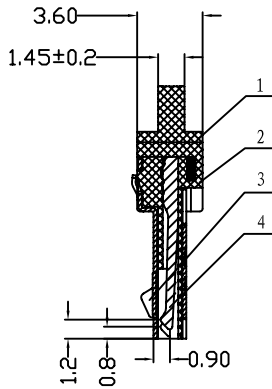
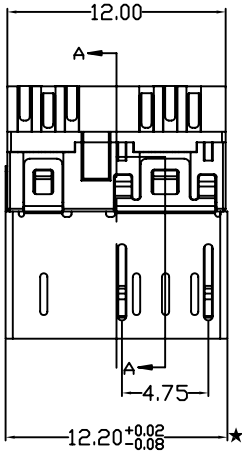
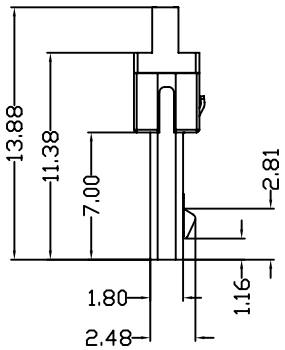
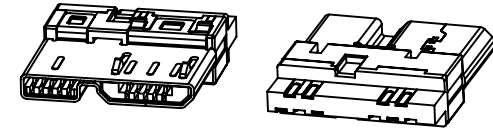
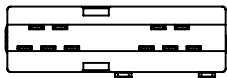
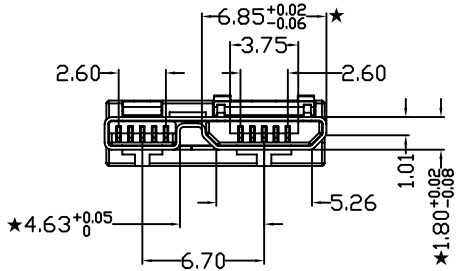


REVISIONS			
REV.	DESCRIPTION	DATE	REVISED BY



HOW TO ORDER:  
USB3-A01200XPSXXX

- 01:TERMINAL PLATING Au:1U"
- 03:TERMINAL PLATING Au:3U"
- 05:TERMINAL PLATING Au:5U"
- 15:TERMINAL PLATING Au:15U"
- 30:TERMINAL PLATING Au:30U"
- A:Shell PLATING Au:G/F
- N:Shell PLATING Ni
- B:HOUSING COLOR IS BLUE
- W:HOUSING COLOR IS WHITE
- H:HOUSING COLOR IS BLACK



★Stress representative size

5	Shell	SUS T=0.2mm	Ovep-plating: Cu Ni
4	Terminal	Phosphor Bronze T=0.15mm	Ovep-plating: Au Ni/Sn
3	Buckle	SUS T=0.4mm	
2	Housing	PBT	UL94-0
1	Housing Stopper	LCP	UL94-0
ITEM	DESCRIPTION	MATERIAL	REMARKS

**EBE**

**EBE TECHNOLOGY(HK) LIMITED**

GENERAL TOLERANCE

X. ±0.20 X° ±2°

X.X ±0.15 X.X° ±1°

X.XX ±0.13 X.XX° ±0.5°

Description

Customer Name

Customer No.

Produce No.

Date

Micro USB3.0 B公

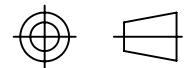
Drawing By

Designed By

Approved By

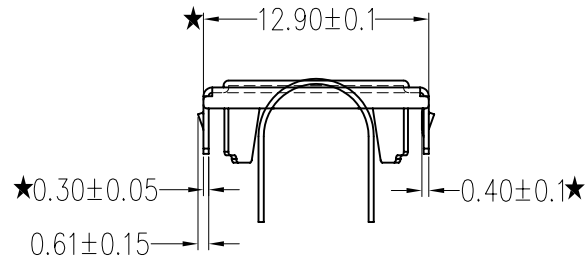
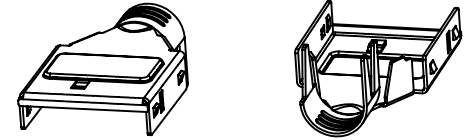
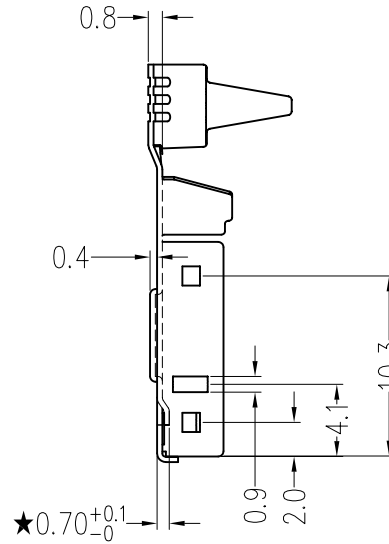
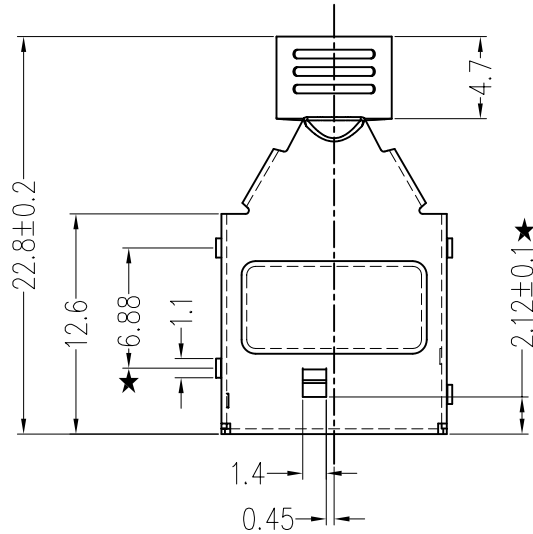
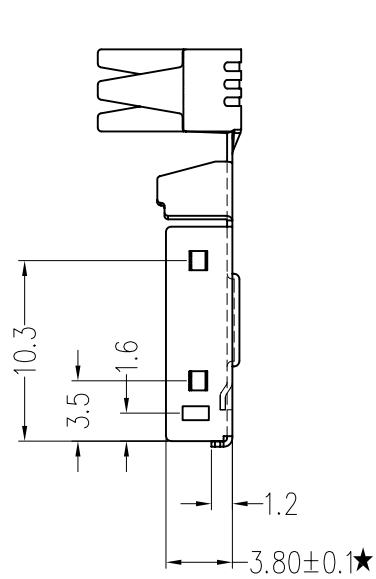
2010.12.07

Third Angle Projection



Units  MM  Inch REV A/1

REVISIONS			
REV.	DESCRIPTION	DATE	REVISED BY

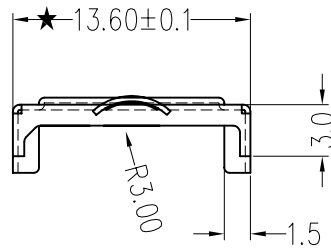
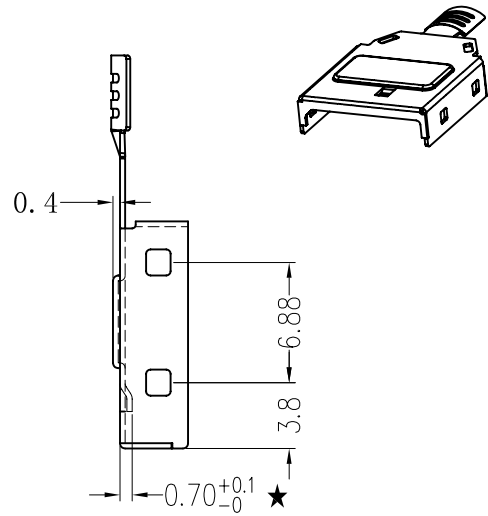
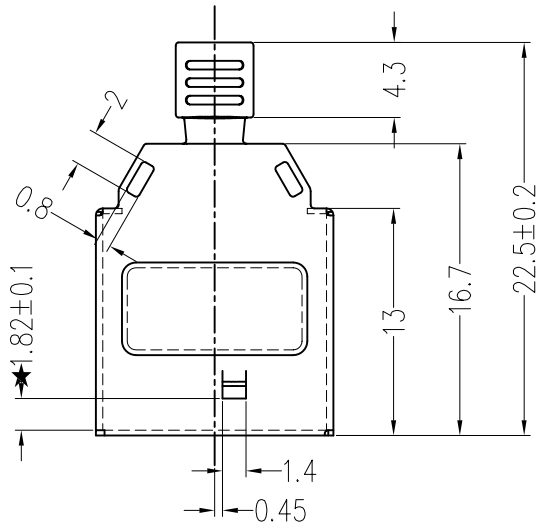
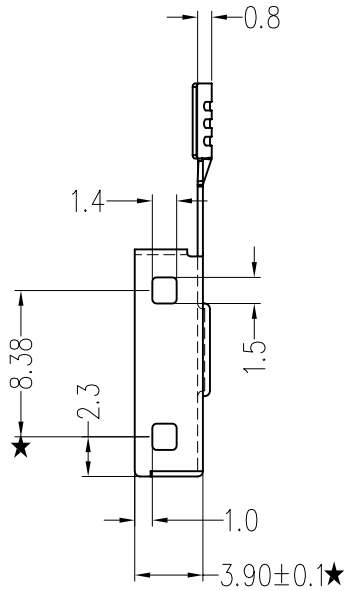


备注:  
 1. 材质: 铁料 T=0.3±0.02  
 2. 镀层: Cu: 80U"Min, Ni: 80U"Min  
 3. 代★号处为重点尺寸

GENERAL TOLERANCE		Description	Micro USB3.0 B(A)公 马口铁内件		Third Angle Projection	
X.	±0.20	X°	±2°	Customer Name	Drawing No.	
X.X	±0.15	X.X°	±1°	Customer No.	Designed By	
X.XX	±0.13	X.XX°	±0.5°	Produce No.	USB3-C01107AF02	Approved By
		Date	2010.07.31	Scale	1:1	Units
				<input checked="" type="checkbox"/> MM <input type="checkbox"/> Inch	REV	A/1

**EBE**  
 EBE TECHNOLOGY(HK) LIMITED

REVISIONS			
REV.	DESCRIPTION	DATE	REVISED BY



备注:  
 1. 材质: 铁料 T=0.3±0.02  
 2. 镀层: Cu: 80U"Min, Ni: 80U"Min  
 3. 代★号处为重点尺寸

GENERAL TOLERANCE

X.	±0.20	X°	±2°
X.X	±0.15	X.X°	±1°
X.XX	±0.13	X.XX°	±0.5°

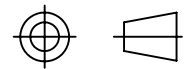
Description

Customer Name	
Customer No.	
Produce No.	USB3-C01108AF02
Date	2010.10.19

Micro USB B公 马口铁外件

Drawing No.	
Designed By	
Approved By	
Scale	1:1

Third Angle Projection



Units

<input checked="" type="checkbox"/> MM	REV
<input type="checkbox"/> Inch	A/0

**EBE**

**EBE TECHNOLOGY(HK) LIMITED**